

doc

Dynamic Operating Chair

For use in ophthalmology, oral and facial surgery and plastic surgery



DOC Dynamic Operating Chair

doc

DOC (Dynamic Operating Chair): a mobile operating chair/table which can be tuned to the needs of the patient and the operating team.

“Quick-fix” Head support

- The head support uses a totally new “quick-fix” technique that allows the head to easily be fixed in a good ergonomic position.

Excellent stability

- The DOC’s solid build and its internal electronic brake system ensure the surgeon and the patient maximum stability during the entire procedure. The internal brake system means that this chair acts like a table during operations.

Tuned for the surgeon

- In designing the DOC, the space under the back of the chair has been maximized to allow the surgeon to adopt the best possible ergonomic posture, both for the temporary position as well as the 12 o’clock position.
- The DOC can be electronically fine-tuned giving the surgeon precision control over the exact positioning.

Ergonomically optimized

- The foot support, the seat and the back support can all be individually pivoted to any desired angle. This allows the DOC to be adapted to any patient using the chair.
- The DOC is equipped with foam “multilayer” upholstery giving the patient maximum comfort and safety. The upholstery is free of seams and stitches allowing for quick and easy cleaning.
- The DOC is uniquely mobile due to its electronically controlled centre wheel. This makes the chair light and easy to steer.

- The DOC can be remote controlled but hand controls or foot controls are also an option. All the dynamic adjustments can be made by using pre-programmed buttons on the remote control.

Full electronic positioning

- All adjustments to the DOC can be electronically controlled including the braked wheels.
- The DOC’s power supply is rechargeable and equipped with a built-in safety switch that makes the chair unmovable when connected to the mains.

Trendelenburg

- The Trendelenburg and reverse Trendelenburg position can be directly activated by a simple-to-use button on the remote control. This makes the seat of the chair pivot into the pre-programmed position.

Chair for the surgeon: the Trippelmax

- The Trippelmax has been developed for optimal mobility and comfort. The smoothly rolling chair is equipped very completely: it has electronic brakes and a electronic or hydraulic height adjustment. For the electronic version you can choose for hand- or foot operation. The chair is very stable and with its length-adjustable armrests and many other adjustments it is a perfect surgeon chair.



Mounting

1



Transport

2



Anaesthesia

3



Fold away arm rests

Hygienic and detachable cushions

Optional extra stable head support

Clear and easy-to-use remote control

Detachable head support for quick cleaning

Matching chair for the surgeon: Trippelmax

Fold-in handles

Electronically controlled centre wheel for freedom of movement

Maximum foot room for ease of movement



Operating

4



Transport

5



Recovery

6

Technical specifications

General specifications

- Fresh, modern design and ease of use are the defining characteristics of this chair.
- Easy access, dynamic adjustment of the seating and good head support offer the patient comfort and safety.
- The slim-line back support allows the surgeon to adopt the temporary position as well as the 12 o'clock position.
- Extra foot space gives freedom of movement.
- The patient is easily and quickly transported by activating the electronically controlled centre wheel, giving the DOC maximum mobility.

Electronic specifications

- Electronically activated brakes
- Electronically activated direction support (centre wheel)
- Individually controlled foot support, seat support and back support
- Remote control covering 5 programmable chair functions, brakes and Trendelenburg position.
- 4 internal battery packs, 24v Max. capacity 6.5 Amp
(safety note: brake is automatically activated when the chair is connected to the mains)
- Charger 230v charge maximum 750 mA
- Automatic motor speed for quick adjustment and speed.

Possible accessories

- Dripstand
- Foot pedal
- Anaesthetist's armrest
- Surgeon's wrist-support



Website:
<http://www.eyevision.com/>

Info: contact@eyevision.com
Middle East & North Africa
Info: wael.zedan@eyevision.com

Sizes and Adjustments

Sizes

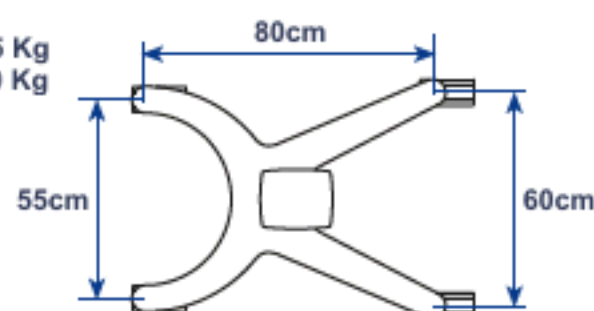
Seat	60cm x 42cm
Foot support	60cm x 65cm
Back support	60cm x 75cm
Wheel basis	80cm x 55cm x 60cm
Wheels	Ø15cm x 7cm
Arm supports	6.5cm x 32cm

Adjustments

Seat pivot angle	0° - 17°
Foot support	
pivot angle	20° - 45°
Back support	
pivot angle	24° - 73°
Head support (X/Y)	30° - 180°
Slideable by	30cm

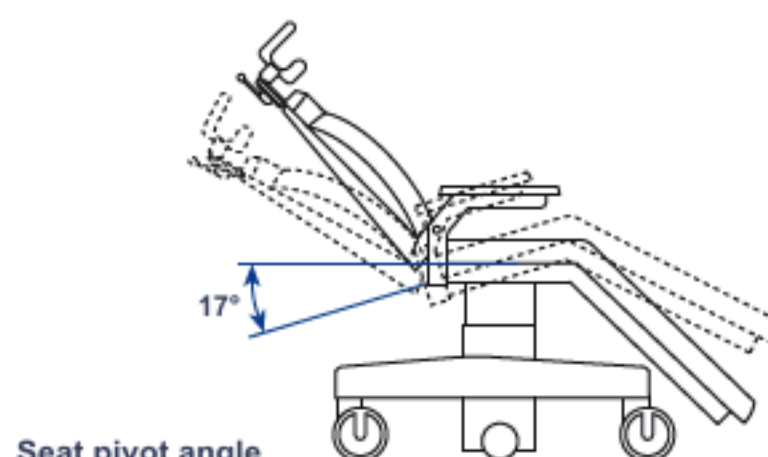
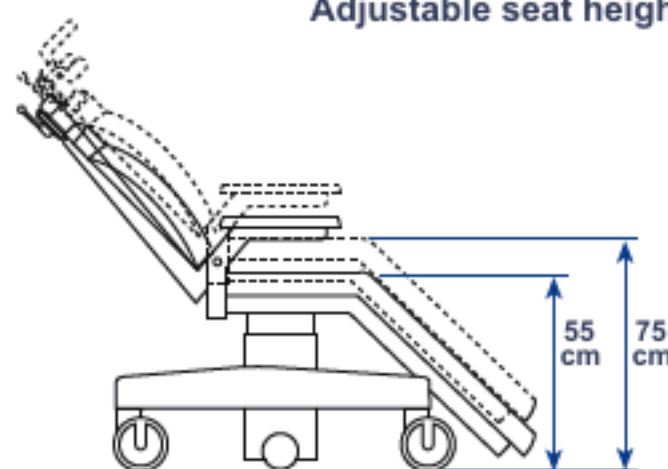
Overige

Net weight	165 Kg
Max. load	150 Kg



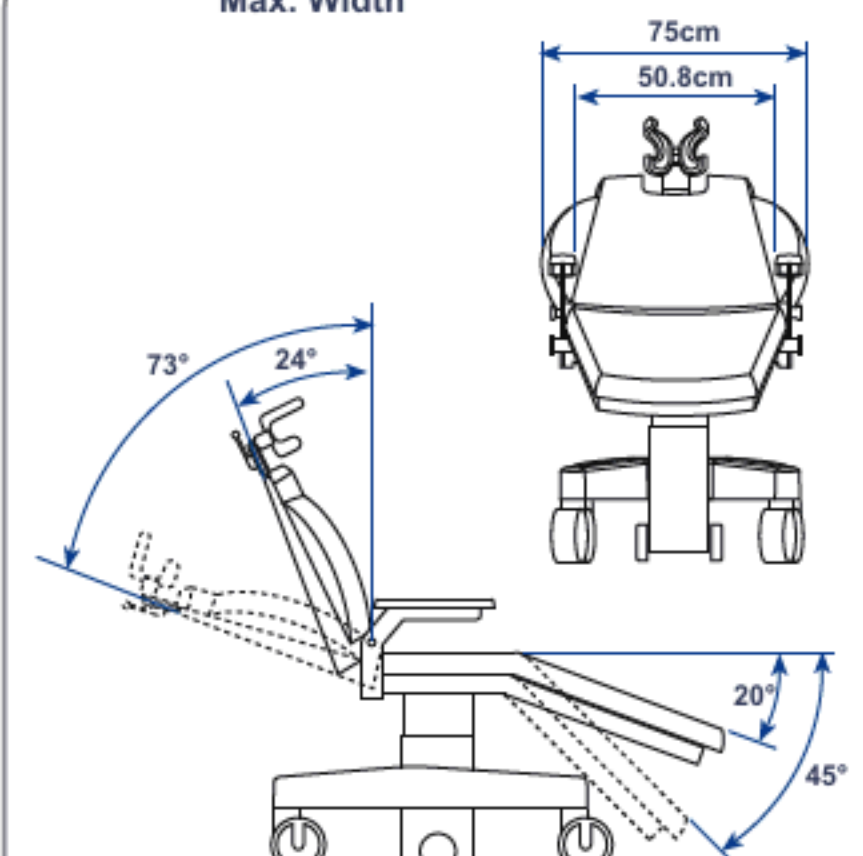
Footprint measurements

Adjustable seat height



Seat pivot angle

Max. Width



Back and foot support pivot angle